

KALLISTA®

Plié® by KALLISTA
Two-Piece High-Efficiency Toilet, Less Seat
P70310-00

Features

- A selection of products within this collection is in stock and ready to ship. Please visit kallista.com/resources#ReadyToShip for the complete list of Ready-to-Ship products and finishes
- Constructed of vitreous china
- Two-piece high-efficiency toilet
- Dual flush 1.0 gpf (3.8 lpf) or 1.6 gpf (6.1 lpf)
- Elongated bowl
- Includes Polished Chrome dual flush actuator
- Required toilet seat sold separately
- 14-5/16" (364 mm) total width
- Optional dual flush actuator upgrade (P70314-00) available
- Floor-mount installation



Required Products/Accessories

P70313-CP Toilet Seat

or

P21933-00 Toilet supply valve

Recommended Products/Accessories

P24949-00 Toilet Paper Holder

P24933-ULB Towel Bar, 18"

Included Components

P70311-00 Elongated Toilet Bowl

P70312-00 Toilet Tank



Codes/Standards

ASME A112.19.2/CSA B45.1

ASME A112.19.14

EPA WaterSense®

KALLISTA® Five-Year Limited Warranty

See website for detailed warranty information.

Available Colors/Finishes

Color tiles intended for reference only.

Color	Code	Description
-------	------	-------------



0

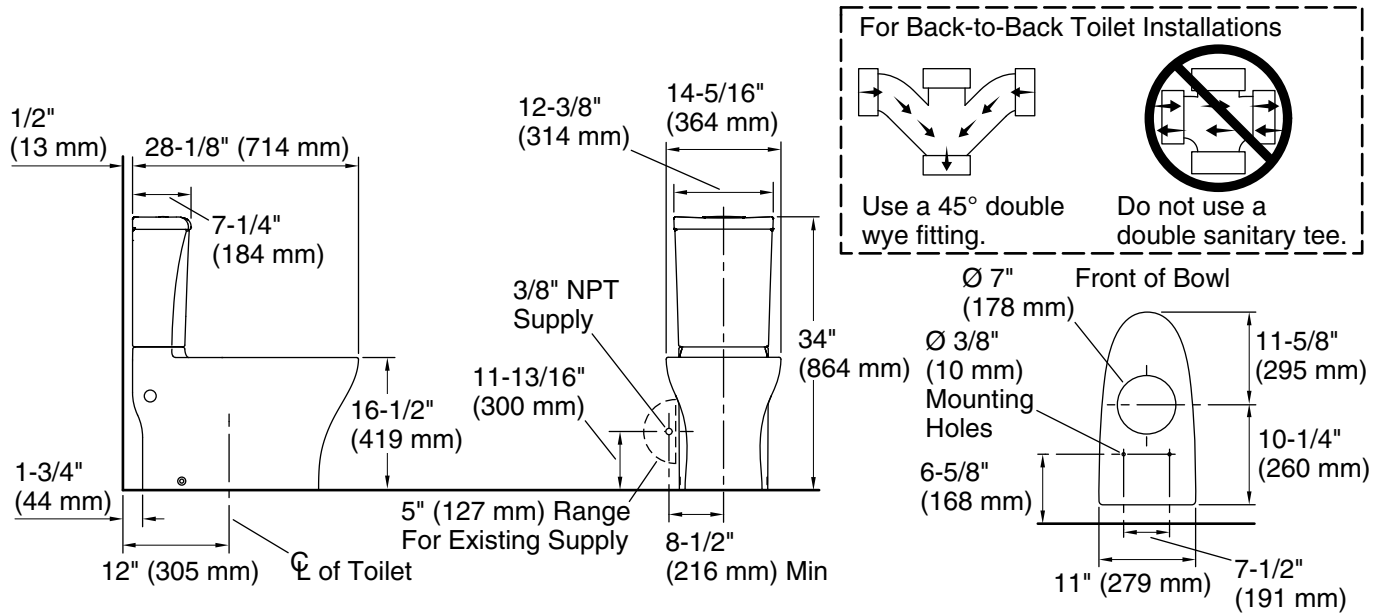
Stucco White

1-888-4-KALLISTA (1-888-452-5547)

Kallista reserves the right to make revisions without notice to product specifications.

For the most current Specification Sheet, go to www.kallista.com.

9-21-2025 00:57 - US



Technical Information

All product dimensions are nominal.

Toilet type:	Floor-mount
Waste Outlet:	Floor
Bowl shape:	Elongated

Notes

Install this product according to the installation instructions.

IMPORTANT! The rough-in must be 12" (305 mm) or more from the base of the wall or baseboard.

Install or relocate the supply and outlet as necessary to conform to rough-in dimensions.

For new construction, install a new supply stop following the dimensions in the diagram. For installations with an existing supply stop, the supply stop may need to be relocated if it is less than 8-1/2" (216 mm) from the centerline of the toilet.

Dry fit the toilet to confirm if the supply stop needs to be relocated. The supplied hose will extend roughly 6" (152 mm) from the toilet. If the supplied hose does not reach the supply stop, a longer supply hose may be used.